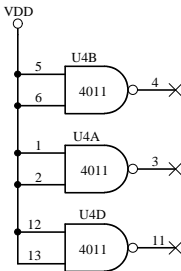
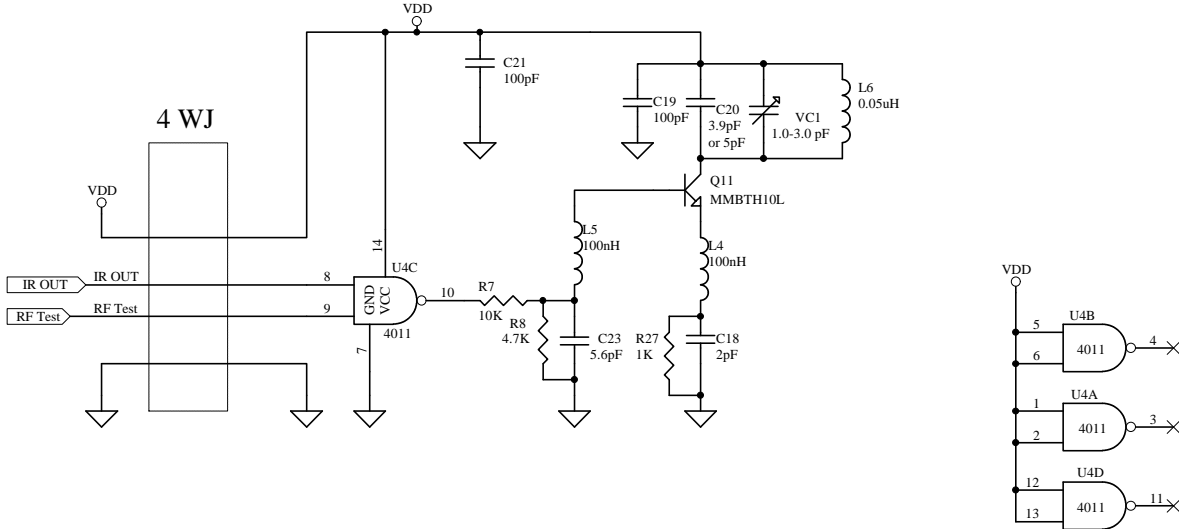


DOCUMENT REVISION STATUS						
ECO#	ZONE	REV.	DESCRIPTION OF CHANGE	Chgd. By	DATE	APPR. DATE
		1	RELEASED DOCUMENT	H.M.	09/02/99	B.B. 09/02/99

**430.000 MHz OSCILLATOR**



**CONFIDENTIAL:** This document contains information which is confidential and proprietary to Universal Electronics Inc.

<b>Universal Electronics Inc.</b> 6101 Gateway Drive Cypress, CA 90630 Phone 714-820-1000 FAX 714-820-1010		Title: <b>RF Transmitter Module</b> Size: A Number: UEIS-09342 Revision: 1 Design by: _____ Drawn By: _____	
File: M:\ADVSCH\PROJECTS\09342-01.sch		Date: 2-Sep-1999 Time: 16:22:03 Sheet 1 of 1	

